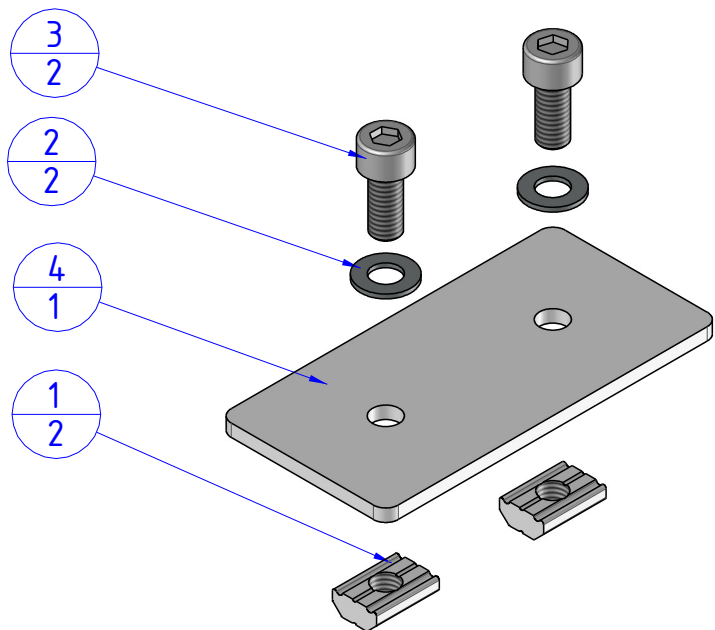
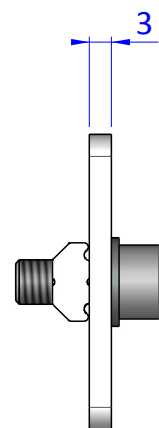
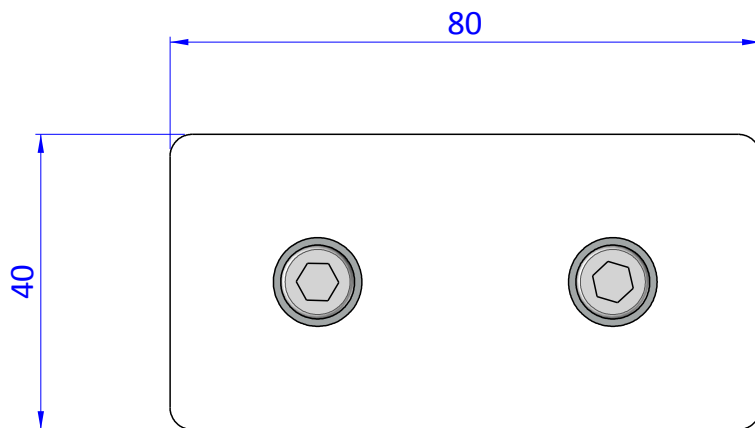


THE PROPERTY OF THE DRAWING IS ESTABLISHED BY LAW. IT IS FORBIDDEN TO PRODUCE OR SHOW IT TO THIRD PART. WITHOUT A WRITTEN AGREEMENT.

Item	Name	Q.ty
1	CA.GWP.6U	2
2	R.6	2
3	V.TCE6x14	2
4	VBG.JU.40.80	1



Format A4 UNI 936-76					DESIGNED FROM FPSERVICES	REVIEW A
	GENERAL TOLERANCE UNI - ISO 2768 CLASSE f		DESCRIPTION CA.VBG.JU.40.80		DATE 30/04/2016	WEIGHT 0,097kg
					CODE CA.VBG.JU.40.80	